

Tamper Switch

WWW.GRISK.COM



TS-20 Series



- ◆ Recessed adjustable plunger from ¼” to ½”
 - ◆ 3/8” diameter (*Smallest in the industry!*)
- ◆ Easy to install ◆ Replaces old mechanical tampers
 - ◆ Strong spring action ◆ Press to fit
 - ◆ 12” #22 AWG leads
- ◆ Screw down flange on TS-20 for positive retention
- ◆ Longer leads, zip cords or jacketed cable upon request
 - ◆ Hermetically sealed
 - ◆ Plated contacts resist sticking or freezing
- ◆ Travel distance total .250; pre-travel is .105 ± .035
 - ◆ Mounting hardware included
 - ◆ Supervisory loops upon request
 - ◆ Lifetime Warranty



TS-20



TSC-20

Part Numbers

	<u>Closed Loop</u>	<u>Open Loop</u>	<u>SPDT</u>
Screw down flange	TS-20	TS-30	TS-40
Clip mounted	TSC-20	TSC-30	TSC-40

WARRANTY: Lifetime warranty against workmanship, material and factory defects.

GEORGE RISK INDUSTRIES, INC.
G.R.I. PLAZA
KIMBALL, NE 69145
WWW.GRISK.COM



Made in U.S.A.

TOLL-FREE 1-800-445-5218
TOLL-FREE 1-800-523-1227
(308) 235-4645
FAX (308) 235-3561
E-MAIL: sales@grisk.com

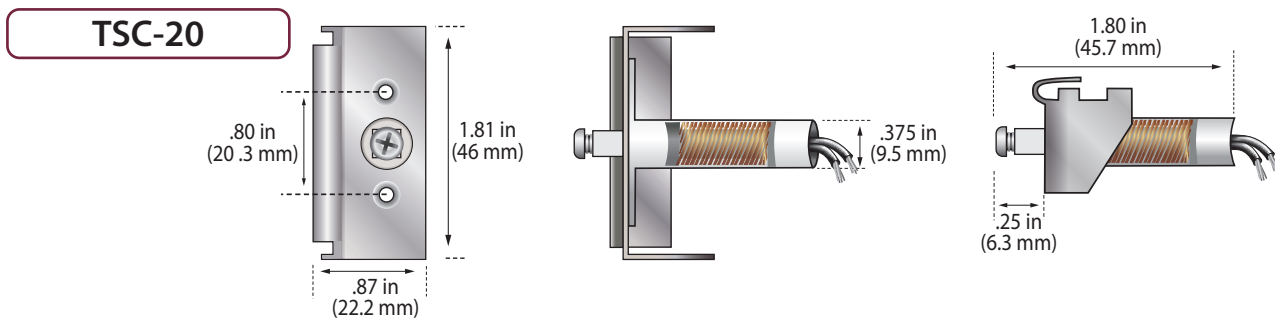
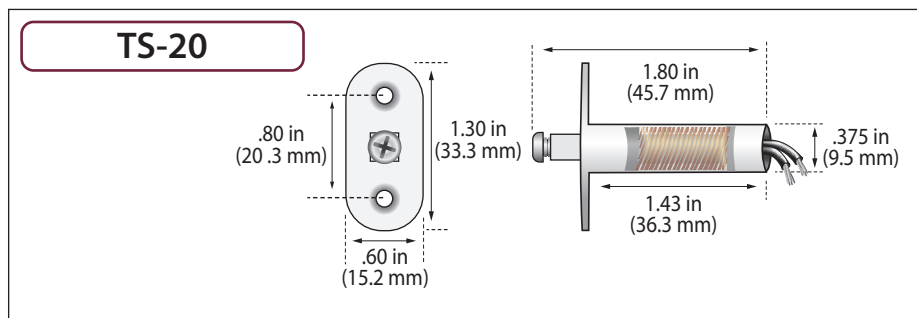
Tamper Switch



WWW.GRISK.COM

INSTALLATION APPLICATIONS

The adjustable plunger actuated TS series was developed to provide a tamper switch with a smaller diameter for applications where a normal plunger or roller ball type switch is too large. The 3/8" diameter is ideal for a variety of door and window applications. The oval flange allows the switch to be solidly anchored where needed. The design also resists locking problems caused by expansion or contraction. Available with a bracket for box tamper. Made of nylon for flexibility, the stainless steel spring and sealed contact insure a long service life.



GRI PRODUCTS MEET OR EXCEED THESE MINIMUM GENERAL SPECIFICATIONS:

Part Number	Loop Type	Electrical Configuration	Reed Form	Max. Initial Contact Resistance (Ω)	Max. Contact Rating (W)	Max. Switching Voltage (VDC)	Max. Switching Current (A)
TS-20	Closed	N/O	A	.115	10	200	.500
TSC-20	Closed	N/O	A	.115	10	200	.500
TS-30	Open	N/C	B	.140	5	175	.250
TSC-30	Open	N/C	B	.140	5	175	.250
TS-40	Open/Closed	SPDT	C	.140	5	175	.250
TSC-40	Open/Closed	SPDT	C	.140	5	175	.250

WARRANTY: Lifetime warranty against workmanship, material and factory defects.

GEORGE RISK INDUSTRIES, INC.
G.R.I. PLAZA
KIMBALL, NE 69145
WWW.GRISK.COM



TOLL-FREE 1-800-445-5218
TOLL-FREE 1-800-523-1227
(308) 235-4645
FAX (308) 235-3561
E-MAIL: sales@grisk.com